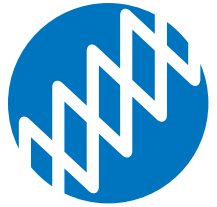
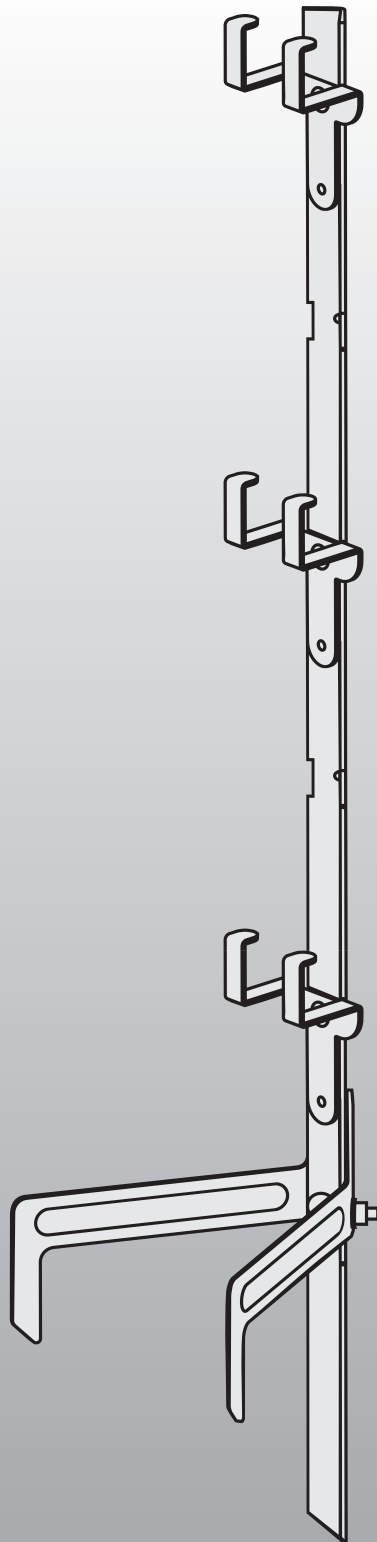


**NEMTEK**  
Electric Fencing Products



# Three Reel Holder Stand AA-3RHS

Assembly  
Manual



# INTRODUCTION

The Nemtek Three Reel Holder Stand is a galvanised steel stand that is designed to hold two or three Nemtek geared reel holders simultaneously - ideal for temporary and moveable fences.

## Box Contents & Quantities

<b>A</b>	Upright	1
<b>B</b>	Leg right hand side	1
<b>C</b>	M8 Coach Bolts	4
<b>D</b>	M8 Nuts	4
<b>E</b>	M8 Washers	4
<b>F</b>	Reel Hook	3
<b>G</b>	M6 Washers	6
<b>H</b>	M6 Bolts	3
<b>I</b>	Leg left hand side	1
<b>J</b>	M6 Nuts	3

## Features

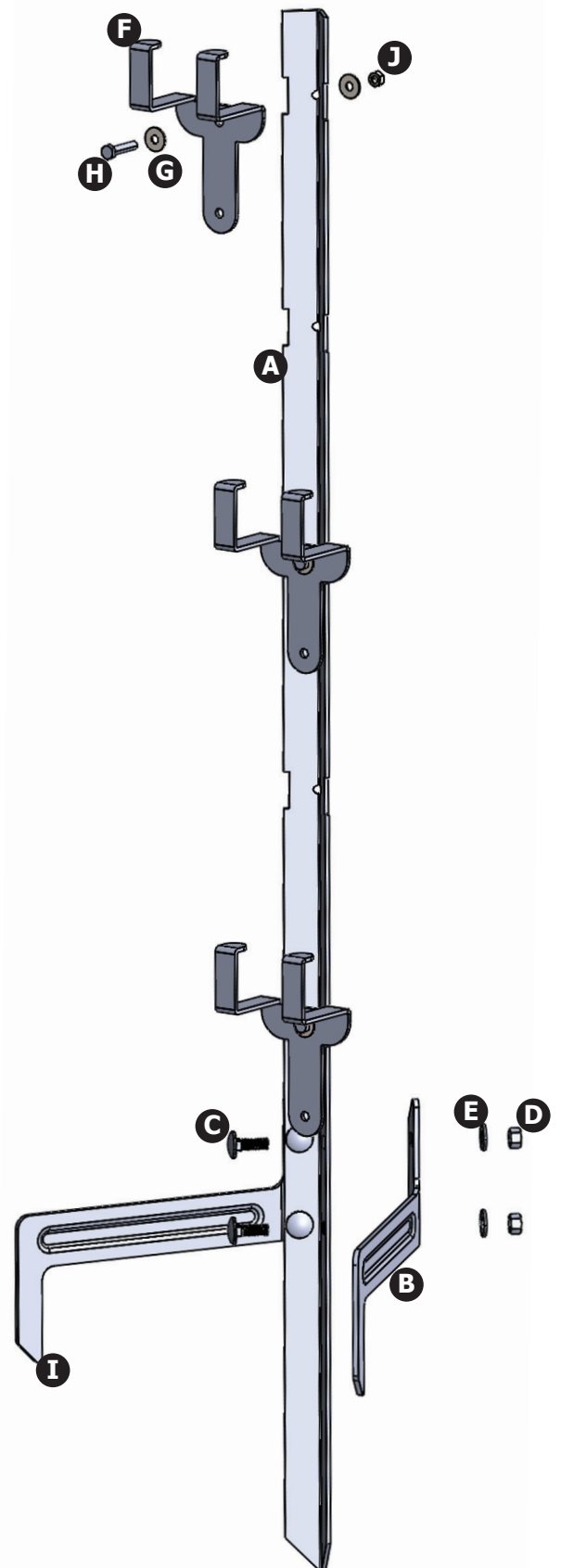
- Three ground pegs for added stability
- Easily wind reels back up and move

## Assembly

Attach the legs to the upright using the M8 coach bolts, washers and nuts supplied. Make sure to attach the right leg to the right hand side of the upright and the left to the left hand side for optimum stability.

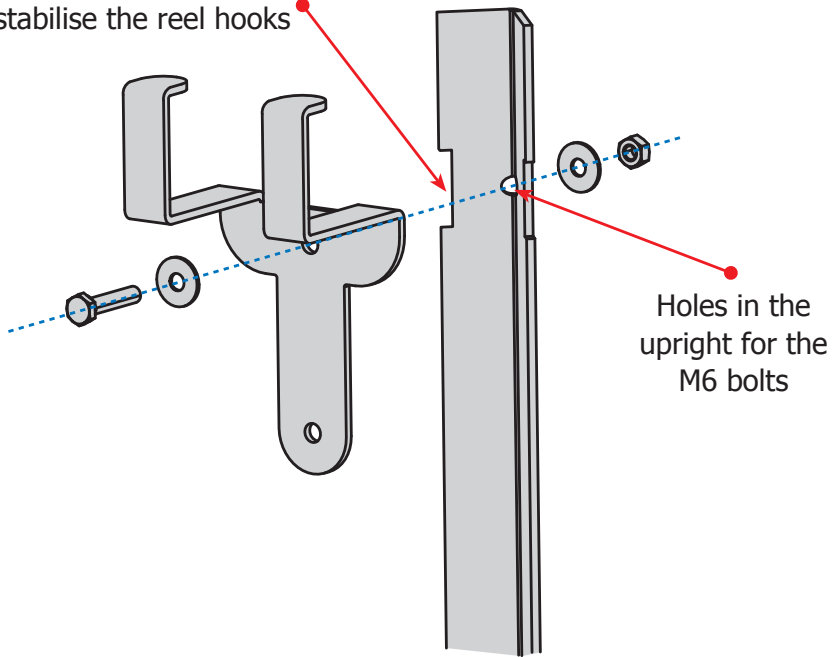
The reel hooks fit into slots in the upright and are then bolted on using the M6 bolts, washers and nuts supplied. When the reel hook is positioned in the slots, the bolt hole in the reel hook aligns with the one in the centre of the upright.

There are additional slots and bolt holes in the upright to allow you to convert to a two reel holder stand if preferred.

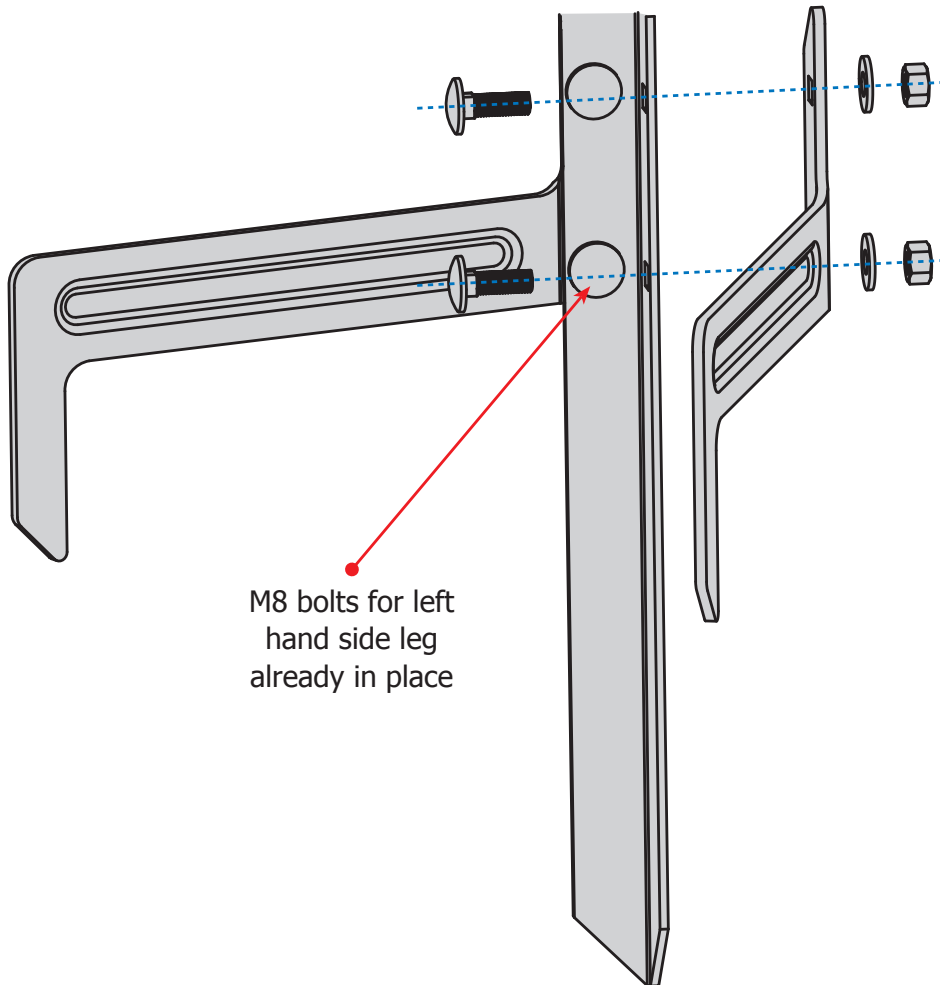
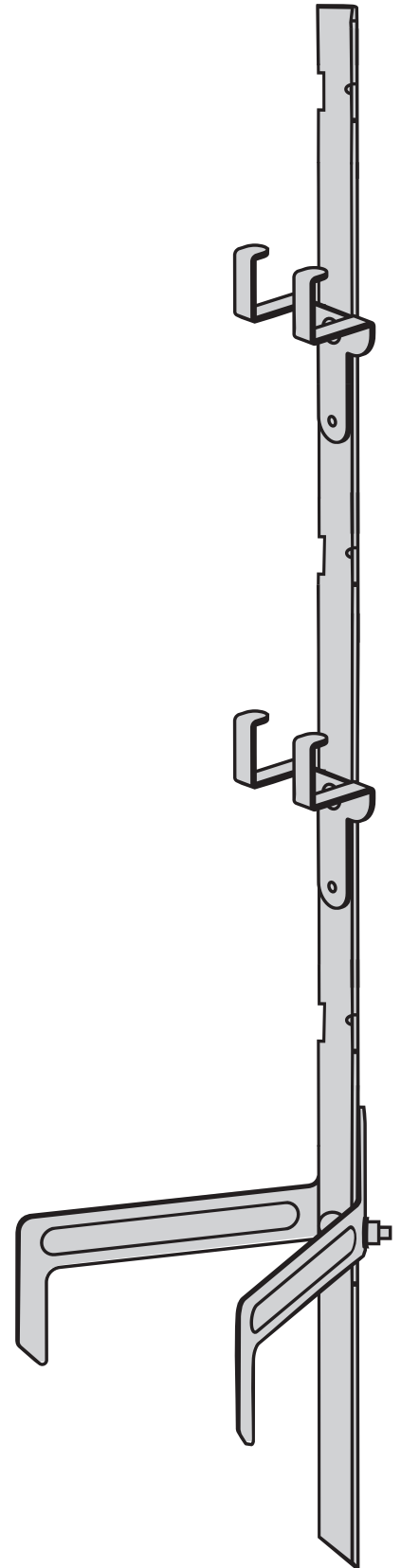


## Expanded Assembly Views

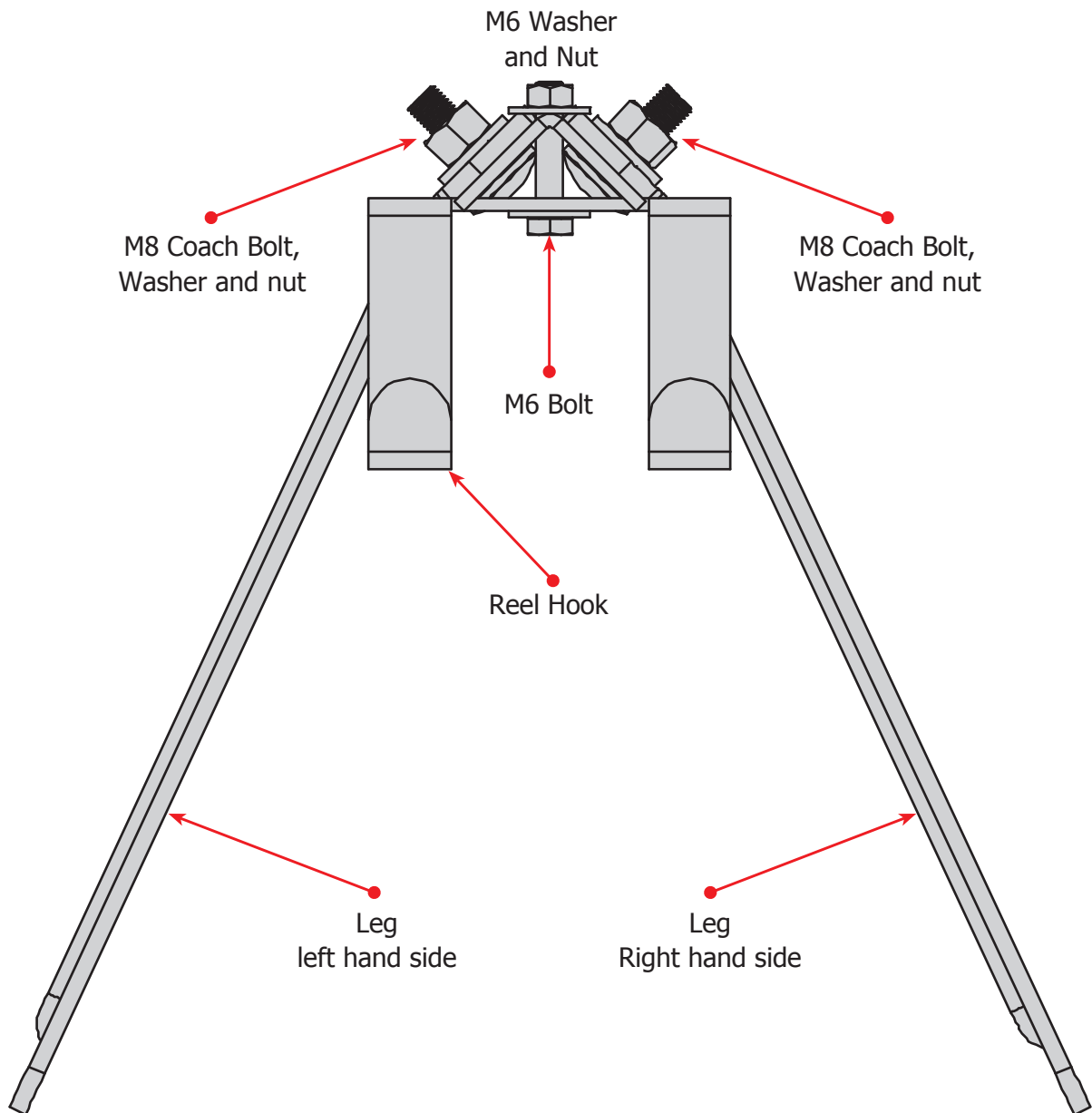
Slots in the upright to align and stabilise the reel hooks



**Example of the two reel option**



## Top View when Assembled



### **Geared Reel Holder 1:1 - AA-RH1** **Geared Reel Holder 3:1 - AA-RH2**

The Three Reel Holder Stand is designed to hold the Nemtek Geared Reel Holder AA-RH1 and/or the Nemtek Geared Reel Holder AA-RH2.

The geared reel holders are used to wind and unwind poly rope, tape and the aluminium stranded wires for portable electric fences.



## WARRANTY

Unless otherwise specified all Nemtek energizers have a 2 year warranty and all other fencing components have a 1 year warranty from date of sale against defects due to faulty workmanship or materials. Nemtek (Pty) Ltd will, at its discretion, either repair or replace a product that proves to be defective.

Nemtek (Pty) Ltd does not guarantee that the operation of the product will be uninterrupted and totally error free. Faulty products must be returned to one of the Nemtek Group outlets. The buyer shall pay all shipping and other charges for the return of the product to Nemtek (Pty) Ltd.

## LIMITATION OF WARRANTY

The warranty does not apply to defects resulting from acts of God, modifications made by the buyer or any third party, misuse, neglect, abuse, accident or mishandling.

## EXCLUSIVE REMEDIES

The remedies provided herein are Nemtek (Pty) Ltd's sole liability and the buyers sole and exclusive remedies for breach of warranty. Nemtek (Pty) Ltd shall not be liable for any special, incidental, consequential, direct or indirect damages, whether based on contract, tort, or any other legal theory. The foregoing warranty is in lieu of any and all other warranties, whether expressed, implied, or statutory, including but not limited to warranties of merchantability and suitability for a particular purpose.



AA-3RHS 12/24 Rev.1.0

[www.nemtek.com](http://www.nemtek.com)