

NEMTEK
Electric Fencing Products



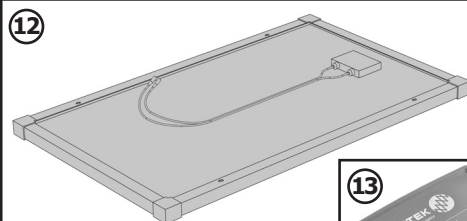
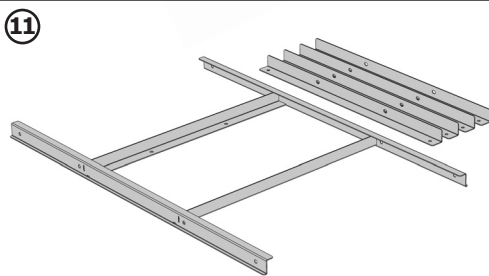
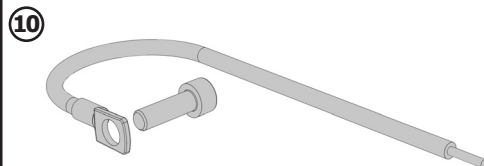
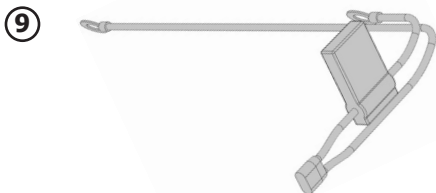
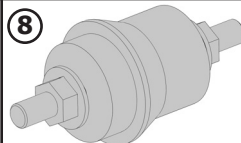
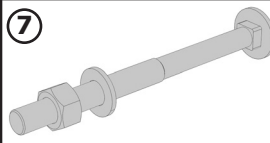
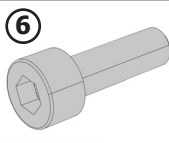
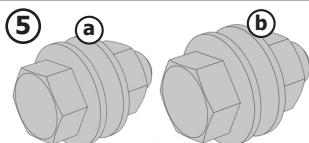
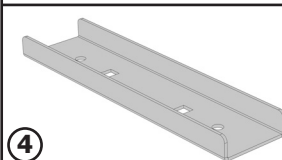
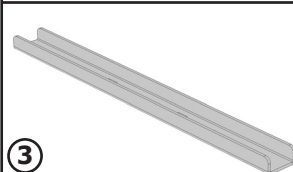
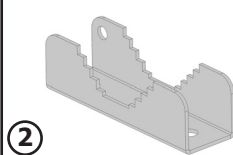
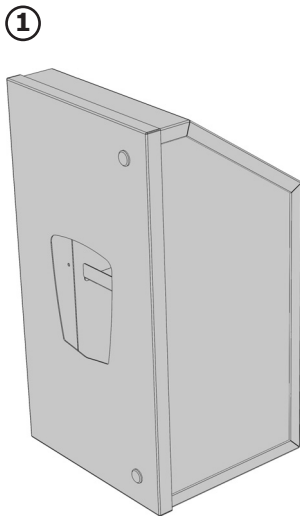
Agri Box: Energizer Protection and/or Shockbox

Instruction Manual



Agri Box Kit: Contents and quantities

- ① 1 x Agri Box
- ② 3 x Pole Clamps
- ③ 3 x Reinforcing Plates
- ④ 3 x Shock Plates
- ⑤ **a)** 12 x Bolts and Lock Nuts
b) 8 x Bolts and Nuts (galvanised)
- ⑥ 4 x M5x12mm Cap Screws
- ⑦ 6 x M10 Fence Bolts,
6 x M10 Nuts & 12 x Washers
- ⑧ 6 x Busbar Insulators
- ⑨ 2 x Battery Leads
- ⑩ 1 x Live Wire
- ⑪ 1 x Solar Panel Bracket
4 x Solar Panel Plates
- ⑫ 2 x Solar Panels
- ⑬ 2 x Solar Regulators



Tools required for assembly (Not supplied):

- For **5a** - No.13 spanner, ratchet and socket
- For **5b** - No.14 spanner, ratchet and socket
- No.17 spanner
- Long 4mm Allen key

Inserting the Agri Energizer into the Agri Box

- A** Plant your 2.4m mounting pole into the ground (76mm pole diameter maximum)
- B** Place the Agri Box on the ground, open the door and slide out the battery cover
- C** Place the energizer into the box and connect to the harness whilst on the ground
- D** Bolt the solar panel bracket onto the box whilst on the ground

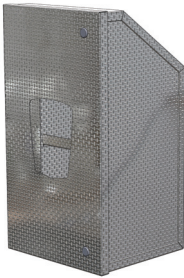
A

Post can be set in concrete or soilcrete

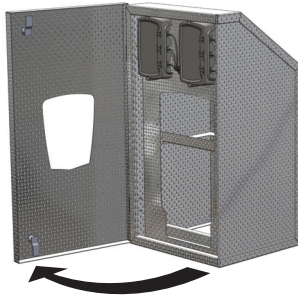


Depth for concreting the post: 0.6m deep

B



Agri Box on flat surface



Open the door

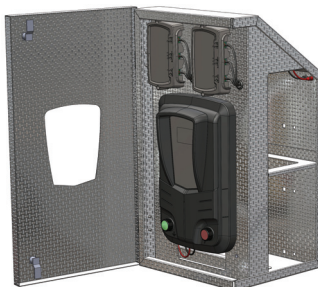


Slide out the battery cover

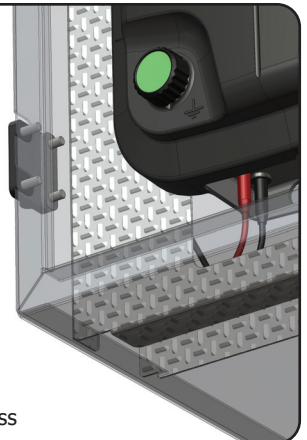
C

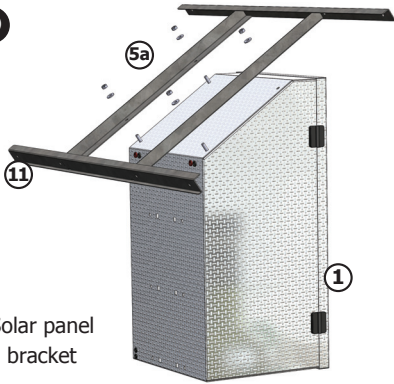


Energiser into the box
(use 4 x M5x12mm Cap Screws)

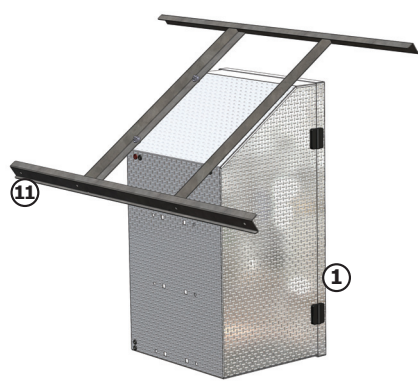


Connect the harness



D

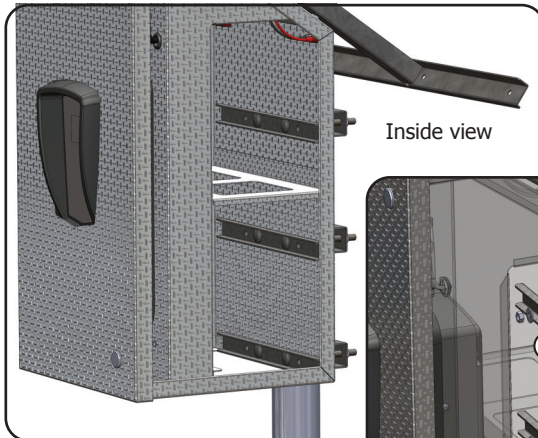
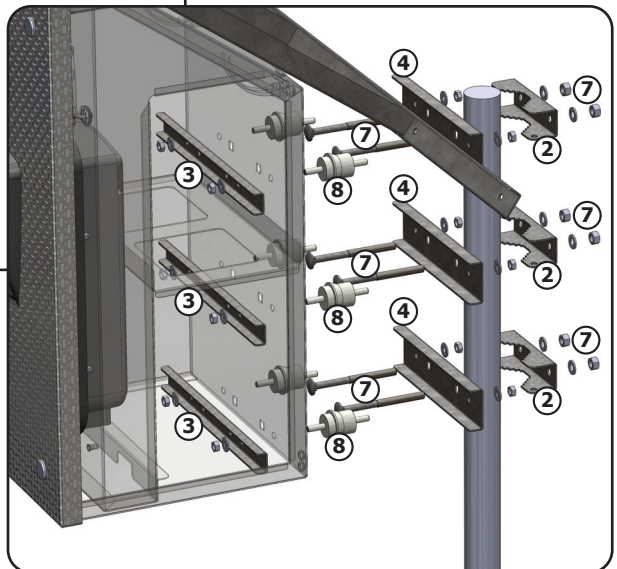
Solar panel
bracket



Pole Mounting the Agri Box

E

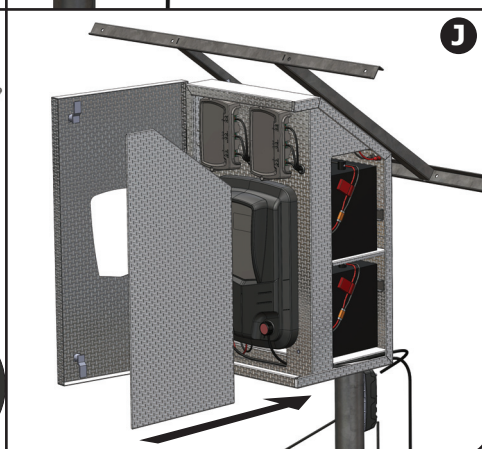
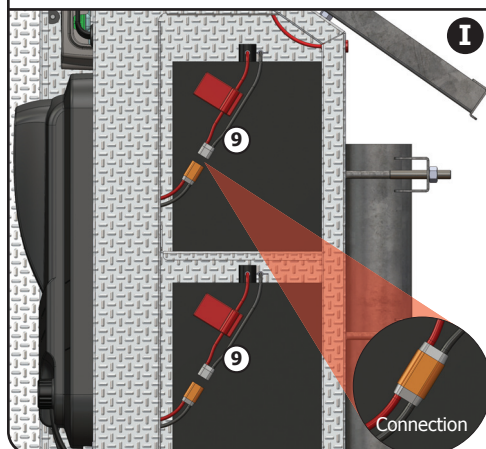
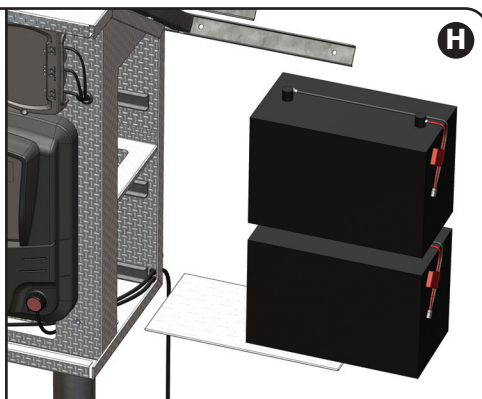
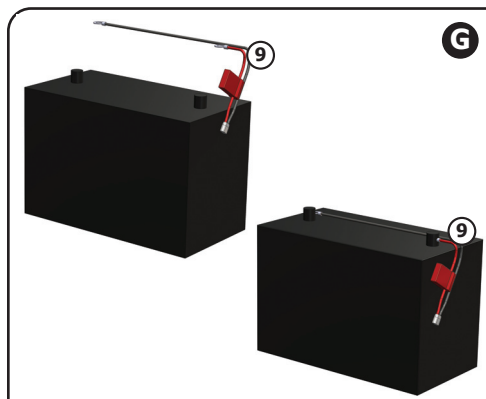
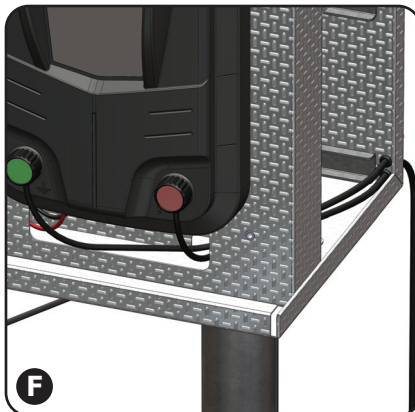
Agri Box mounting onto the pole

**E**

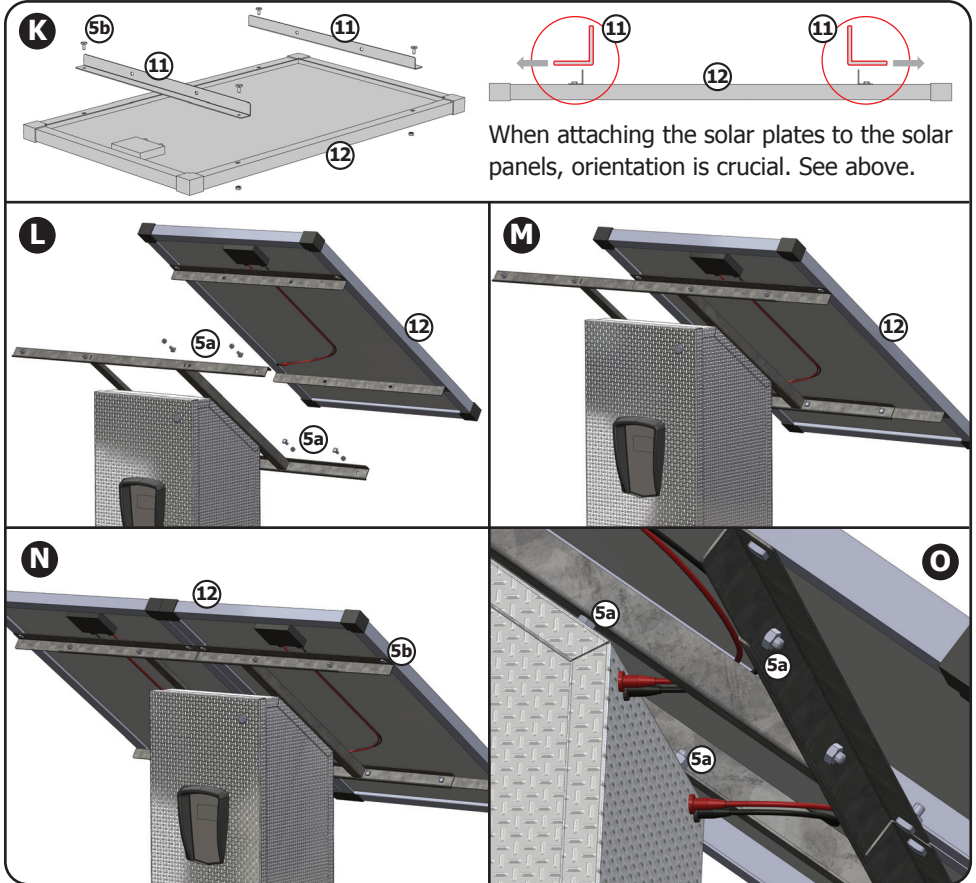
Please note: The top of the pole should remain below the solar panel bracket, as shown above

Battery Installation Procedure

- F** Before inserting the batteries, feed the HT/fence cables through the holes at the back/bottom and connect them to the energizer
- G** Connect the battery harnesses to the battery/s
- H** Install the bottom battery plate and slide the battery/s into the box
- I** Connect the battery plugs to the harness
- J** Slide the battery cover into place, close the door and lock it

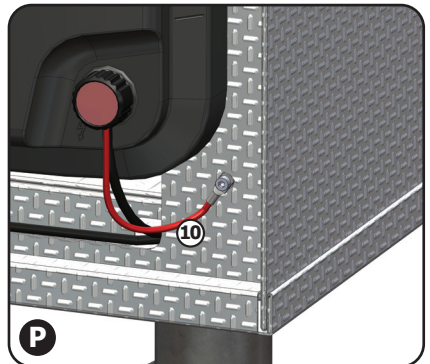


Solar Panel Installation



When attaching the solar plates to the solar panels, orientation is crucial. See above.

- L** Place the bolts provided for the solar panel installation into the holes in the frame
- M** Place the solar panel onto the frame and align the bolts to attach to the solar panel bars
- N** Bolt the solar panel onto the frame
- O** Connect the battery plugs to the harness
- P** **Please note: For the Shockbox option only**
Attach the live wire from the energizer terminal to the box as shown



MAINTENANCE

1. Disconnect the Battery/ies: Refer to image J on page 5
2. Disconnect the Solar Panels: Refer to image O on page 6

WARRANTY

Unless otherwise specified all Nemtek energizers have a 2 year warranty and all other fencing components have a 1 year warranty from date of sale against defects due to faulty workmanship or materials. Nemtek (Pty) Ltd will, at its discretion, either repair or replace a product that proves to be defective.

Nemtek (Pty) Ltd does not guarantee that the operation of the product will be uninterrupted and totally error free. Faulty products must be returned to one of the Nemtek Group outlets. The buyer shall pay all shipping and other charges for the return of the product to Nemtek (Pty) Ltd.

LIMITATION OF WARRANTY

The warranty does not apply to defects resulting from acts of God, modifications made by the buyer or any third party, misuse, neglect, abuse, accident or mishandling.

EXCLUSIVE REMEDIES

The remedies provided herein are Nemtek (Pty) Ltd's sole liability and the buyers sole and exclusive remedies for breach of warranty. Nemtek (Pty) Ltd shall not be liable for any special, incidental, consequential, direct or indirect damages, whether based on contract, tort, or any other legal theory. The foregoing warranty is in lieu of any and all other warranties, whether expressed, implied, or statutory, including but not limited to warranties of merchantability and suitability for a particular purpose.



WENC_AGRI_BOX 02/25 Rev.1.4

www.nemtek.com